

WTZ6V-E 12Volt 6Ah

Specifications

Nominal Voltage(V) **12V**

Nominal Capacity

10 hour rate	(0.6A	to	10.50V)	6Ah
5 hour rate	(1.02A	to	10.20V)	5.1Ah
1 C	(6A	to	9.60V)	2.7Ah
3 C	(18A	to	9.60V)	2.1Ah

Weight **Approx. 2.07kg(4.55Lbs.)**

Internal Resistance (at 1KHz) **Approx. 14 mΩ**

Cold Cranking Amperes (-17.8) **90A**

High rate discharge characteristics (-10)

Discharge current (A) **40A**

Duration (min) **0.9min**

5 second voltage (V) **8.6V**

Operating Temperature Range

Charge **-15 (5) to 40 (104)**

Discharge **-15 (5) to 50 (122)**

Storage **-15 (5) to 40 (104)**

Charge Retention (shelf life) at 20 (68)

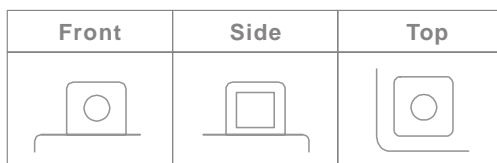
1 month **92%**

3 month **90%**

6 month **80%**

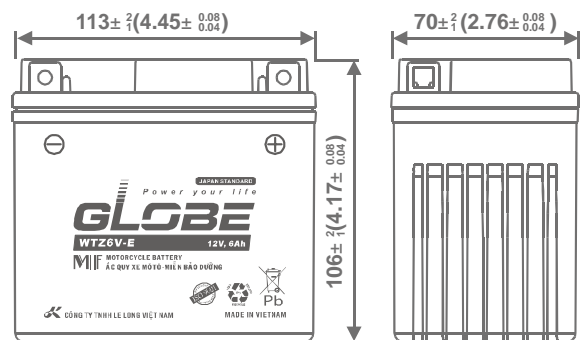
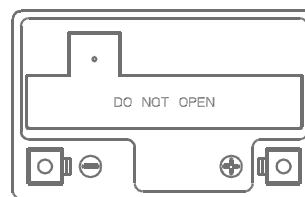
Case Material **PP**

Terminal Shape

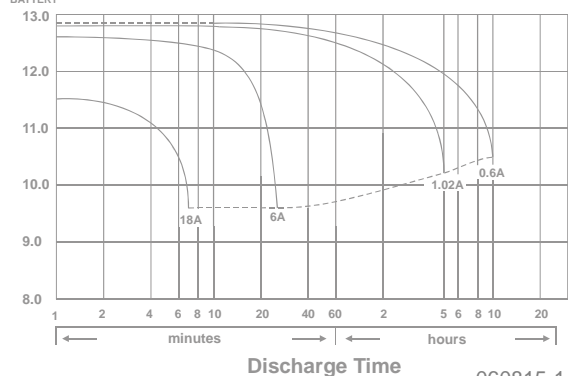


Dimensions

mm(inch)



(v) FOR 12V BATTERY Discharge Time VS. Discharge Current (25)



060815-1A-V